

意大利

ZANUSSI

ZANUSSI 金章牌

全新科技速熱電熱水器

The Brand New Technology Speed Heat Electric Water Heater

中央系統儲水速熱式電熱水器

Unvented Thermal Storage Type

Speed Heat Electric Water Heater

ZULH-21

操作及安裝說明書

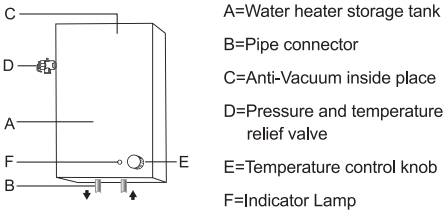
Operating and Installation Instructions

Introduction

Thanks for choosing ZANUSSI New Technology Unvented Thermal Storage Type Speed Heat Electric Water Heater

- Before you use the appliance, read these Operating and Installation instructions carefully!
- The appliance can be heated up and store water up to 75°C to meet your requirements.
- You can also have cold water from the mixer tap at any time.
- This water heater must be installed (both aquatic and electrical installation), commissioned and serviced by an authorized person in accordance with the local rules and regulations.
- Installation must be completed with supplied accessories and follow these instructions. If you need refit, contact the registered electrical contractor and a licensed plumber for service.

(1) Composition of the Unit



(2) Installation Requirements

2a. Electrical Connection

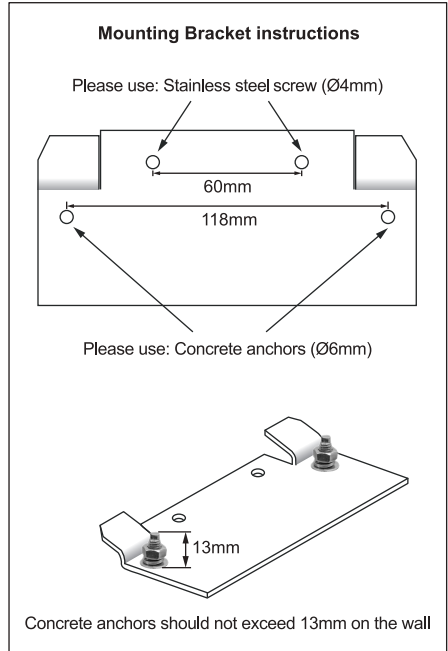
- Wiring of this appliance must conform to IEC wiring regulations.
- Power switch with a light indicator is recommended.
- Must install separate power switch outside bathroom with appropriate miniature circuit breaker (M.C.B.) and effective grounding.
- Release the set of screws at bottom and remove the bottom cover.
- Lead the power wire through the wire hole at the bottom of back cover (refer to (3) Wiring diagram).
- Use the wire clamp to fix the wire in position.
- Connect the wiring to earth and on power terminals as shown in the wiring diagram.
- Refix the bottom cover in position.
- Connect to an individual 220V AC power supply only.
- The appliance must be connected to a power supply with a 20A cooker switch.
- Do not connect the appliance to the power socket until it is mounted on the wall and filled with water.
- Use wire with cross-sectional area 2.5mm² or more.
- Power must be switched off before maintenance or cleaning inner tank.

2b. Installation of connecting pipe and P/T Relief Valve

- Tighten and connect a drain pipe (not supplied by manufacturer) to the pressure and temperature relief valve.
- The drain pipe must be in a continuous downward direction, outlet closely and toward the floor (at least 100 mm apart), or lay on the floor with 100:1 tilt to the drainage.

2c. Wall mounting and water supply

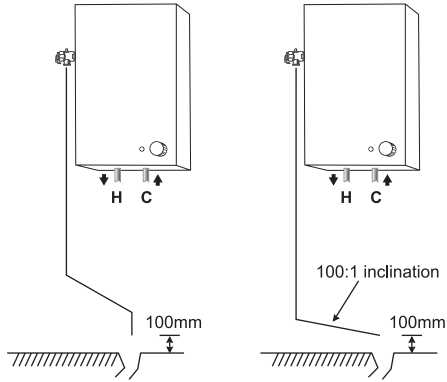
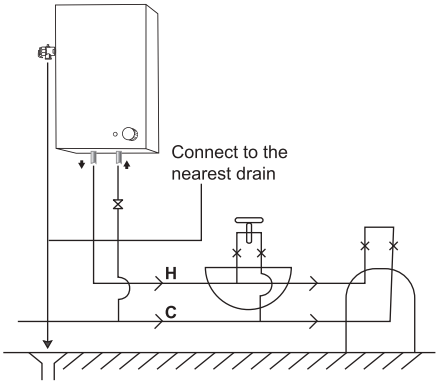
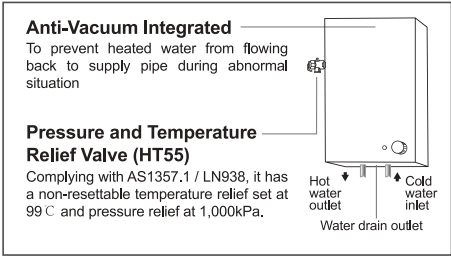
- Please use 2 pieces of Ø6mm bolt screws and Ø6mm concrete anchors and Ø4mm stainless steel screws each 2 pieces.



- Make sure to mount the appliance vertically and the wall is flat.
- When replacing an existing appliance, check whether the existing boreholes can be reused.
- Fix the mixer and pipe connector on wall.
- Mount the water heater on wall, screw the connecting pipes to the heater and the pipe connector.
- Diameter of supply water connection is 1/2" BSP. Make sure there is no water leaking at the joints, turn on hot water valve to fill up the inner tank until water flows out.

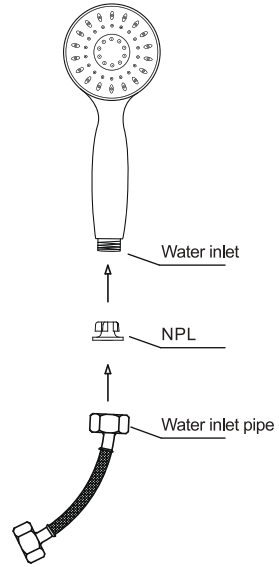
2d. Pre-installation Notice

- Installation and repair should be carried out by a qualified technician.
- Supplied parts should be used. Manufacturer or agent shall not be responsible for damages resulted from incorrect installation or misuse of heater.



H = hot water X = gate valve
C = cold water ⚡ = mixer

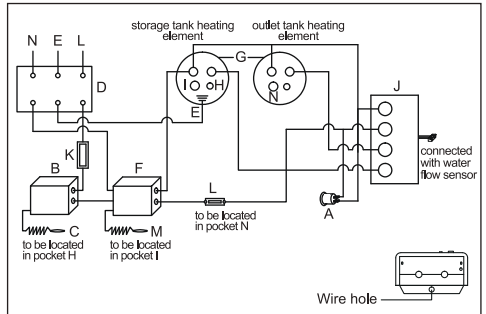
NPL Installation Diagram



Remark for installation:
Yellow side with the black convex jacket should be connected to water inlet pipe

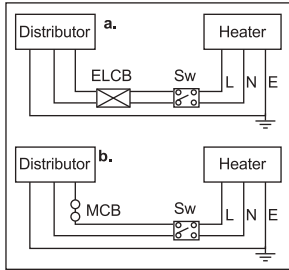
(3) Wiring diagram and schematic drawing

- A= power lamp
- B= thermostat
- C= storage tank
- D= wiring terminal
- E= earthing connection
- F= thermal cutoff sensor
- G= heating element
- H= pocket for storage tank temperature sensor
- I= pocket for thermal cutoff sensor
- J= electronic controller PCB
- K= fuse
- L= thermal circuit breaker
- M= thermal cut-out sensor
- N= thermal breaker jack



a. Method for ELCB connection

b. Method for MCB connection



(4) Operating Instructions

- Ensure the heater installed in good condition and proper location.
- Open the hot water valve until water and air bubble come out through the outlet points, wait for 1 minute, then shut off the valve (For the first time installation or after repair).
- Turn on the power switch after the appliance is filled with water, water will be heated up and indicator light (red) will be lit.
- Indicator light (red) will be gone off when water approaches the preset temperature and the heater is ready to use.
- Take a comfortable shower bath. Firstly, turn the cold water knob on to open the cold water valve, cold water will flow through the outlet points. Secondly, open the hot water knob slowly until the mixed water temperature suitable for your needs.
- During the bath, the temperature control switch device opening conditions, water flow is greater than 1.5L/min the red indicator light.

Water Temperature Settings

- Switch on the appliance by turning the temperature knob to desired temperature. During heating the indicator lamp lights up.
 - Water will be heated up to about 35°C
 - • Under "Energy Efficiency" setting, water will be heated up to about 60°C
 - • • Water will be heated up to about 75°C. Caution hot.

(5) Caution

- Under normal operation, water will drip out from the pressure and temperature relief valve during heating up.
- Under abnormal operation, if a large amount of water and steam flow through the safety valve during heating up or turning on the gate valve, the cause may be as follows:
 - A. Pressure and temperature relief valve is defective
 - B. Incoming water supply pressure is too high
 - C. Thermostat is defective leading to exhaust due to high temperature and pressure.

Above situations are abnormal, actions must be taken as below:

1. Switch off the power immediately
2. Turn off the water supply valve
3. Call for service immediately

(6) User manual

- This appliance is not intended for use by person (including children)
 - A. With reduced physical sensory or mental capabilities or lack of experience and knowledge, unless they have been given supervision or instruction.
 - B. Concerning use of the appliance by a person responsible for their safety.
 - C. You may get hurt if you directly flush your body with water without mixing cold water, please try water temperature before use.

(7) Safety precautions

The following safety precautions must be taken when installing and using the electric water heater.

- When one of the following situation happen:
 1. Water inflow for the first time
 2. Water suspension
 3. Water outflow only, without water inflow to the water heater

Open the hot water switch, user need to wait for approx 1 minute after water and a few air bubble flowing from the outlet, such to make sure the water heater storage tank is full.

- The pressure and temperature relief valve must be operated regularly to remove lime deposits and to verify that it is not blocked.
- Depending on local electrical regulations and law, you may need to install at least one of the following:
 - A suitable loading circuit breaker
 - An earth leak circuit breaker
- Make sure the unit is correctly and properly installed at all time. Do not place clothing or other materials over it .
- NEVER spill any kind of liquid into the unit. Should this happen, turn off power and contact your local technician for service.

- Always ensure that the power cord is in good condition, if the power cord is damaged in any way, it must be replaced by an authorized technician.
- Do not connect an extension cord or other appliances with the unit.
- If the appliance is damaged in any way, contact the following for service, do not attempt to repair the unit or replace accessories by yourself:
 - Local authorized service center
 - The dealer from whom you purchase the unit
- If the unit will not be used for a long time, disconnect the power supply. Please check before use, open the cold and hot water valve to ensure there is water in the tank, then turn on the power switch.
- Do not connect any unqualified or non-standard sanitary fittings to the water outlet. eg, unauthorized mixer accessories etc.
- A double-pole switch should be complied with National Standard and installed outside the bathroom.

WARNING: Children should be supervised to ensure that they do not play with the appliance, Appliance must be earthed.do not install or alter any electric water heater by yourself.

- Only authorized fittings and accessories be connected to or used with this appliance.
- Use tool to open the drainage if the water is to be drained off.

(8) Trouble Shooting

Be reminded to switch off the power when problems occurred. Call for service immediately.

Status	Cause	Action
Water cold, light bulbs off	1. Disconnection of main supply 2. Disconnection of internal wiring 3. Burn off of heating element/ thermostat 4. Current fuse bum	<ul style="list-style-type: none"> • Consult qualified technician for checking and repairing • Replace the heating element / thermostat • Replace current fuse
Very low water temperature	1. Thermostat is located low temperature 2. Insufficient power of the appliance	<ul style="list-style-type: none"> • Adjust to high temperature • Contact the sole agent or consult qualified technician for checking
Dripping	1. Dripping of water tank internally	• Contact qualified technician
Insufficient or no water out-flow	1. Block of pipe 2. Insufficient water pressure	• Clean pipe

(9) Specifications

Description	MODEL
Speed Heat Electric Water Heater	ZULH-21
Rated Power (kW)	3
Rated Voltage	220V~/50Hz
Capacity (Litre)	19
Dimensions (WxDxH mm)	430 x 185x660
Weight (Net Weight)	16kg
Weight (Operating Weight)	35kg
Limiter	85°C
Shape	Rectangular shape
Temperature Range	From cold water 75°C
Anti-Vacuum	Yes(Integrated)
Pipe Connection	1/2"

*All specifications are subject to change without notice

Water Supply Source: Main or water tank

Rated Pressure: 1,000 kPa (10 bar)

Water Supply Pressure: over 600kPa (6 bar) or above, must install with pressure relief valve, otherwise not accepted for maintenance!

(10) Warranty

- One year for the whole product, three years for the parts (excludes the labor cost of 2nd and 3rd Year)
- Ten years warranty for the inner tank.
If there are any defects within the warranty period, our company will provide repairing service or exchanging a new one.

Warranty does not apply to defects resulting from following improper use:

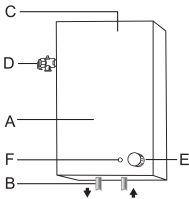
1. Improper installation or abnormal operation
2. Use unqualified or not originally-designed parts
3. Unauthorized modification or alternation
4. Installation and use don't according to the instructions.

說明書簡介

謝謝閣下選購意莎全新技术中央系統儲水速熱式電熱水器

- 使用此產品前，請先閱讀本操作及安裝說明書。
- 此熱水器能按照閣下要求，令爐內冷水加熱至75°C。
- 任何時間也可在混合水掣提取冷水。
- 此熱水器需由認可人士根據當地安裝條例及以下說明書安裝方法(包括水管及電線接駁)、保養及維修。
- 安裝熱水器需使用原裝之配件，如需改裝，請由註冊電業承辦商及持牌水喉匠進行。

(1) 各部名稱



A= 熱水器儲水箱

B= 喉管接駁位

C= 內置防真空

D= 壓力及溫度感應排放閥

E= 溫度控制器

F= 指示燈

(2) 安裝原則

2a. 電源接駁

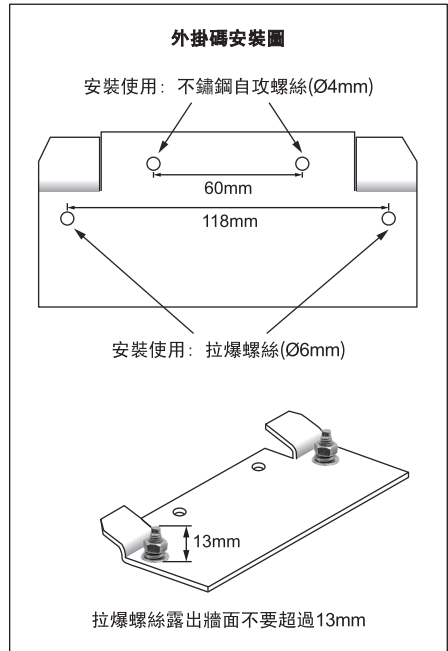
- 於浴室內安裝本電熱水器時，必須遵照IEC之有關電線安裝條例規格接駁。
- 電源開關應採用有顯示燈類型。
- 必須裝置獨立電源開關掣(放浴室外)，自動斷路保險掣及有效接地。
- 先把熱水器之底蓋打開(扭開螺絲釘)。
- 先把電線穿過底蓋之入線位，引入電熱水器內(參閱(3)配線圖)。
- 用電線夾把引入之電線固定。
- 並按配線圖指示接駁電線及地線。
- 把爐底蓋重新安裝妥當。
- 只可接駁一處220V的交流電源。
- 產品需接駁合格20安培電力曲架斷路開關掣。
- 熱水器被掛在牆上及裝滿水後才可接駁電源。
- 使用標稱橫截面積 $\geq 2.5\text{mm}^2$ 的固定電線。
- 用戶需要作任何維修或內膽清理前，必先截斷電源。

2b. 喉管與壓力及溫度感應排放閥安裝說明

- 把排水導管接駁及收緊於壓力及溫度感應排放閥接口。
- 排水導管方向應向下，出口至最近之地面排水系統(距離最少100mm)，如需平放，則導管須有最小有100:1之斜度並指向渠口。

2c. 掛牆和供水

- 安裝時，請使用2個 $\text{Ø}6\text{mm}$ 拉爆螺絲及 $\text{Ø}6\text{mm}$ 膠塞和 $\text{Ø}4\text{mm}$ 不鏽鋼自攻螺絲各2個。



- 確定掛牆時，熱水器是垂直及牆身是平的。
- 當更換電熱水器，請檢查牆孔可否再使用。
- 接駁混合水掣連接於水管上。
- 把熱水器掛在牆上，緊接水管至混合水掣及熱水器。
- 供水管直徑為1/2"，接駁妥當後應先試看連接位置有否漏水，確定沒有漏水後才為熱水器注水，直至花灑頭噴水，即表示內膽已注滿。

2d. 一般事項

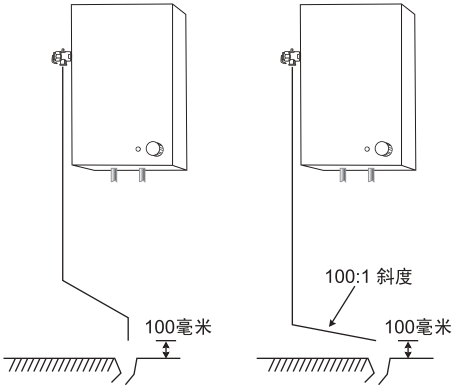
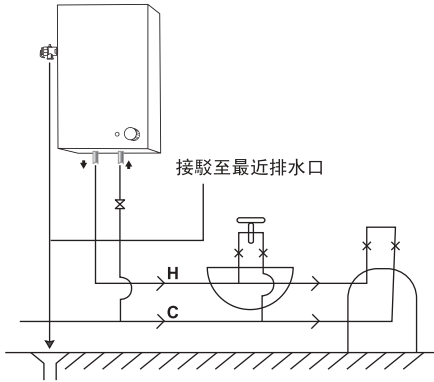
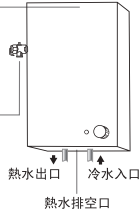
- 安裝和維修工作應由合資格的技術人員負責。
- 必須使用原廠配件安裝，若不按指示安裝，或使用非原廠配件而引致任何損失，本公司概不負責。

內置防真空

充當回流阻斷器，用以防止在異常狀態下，水向供水系統中回流。

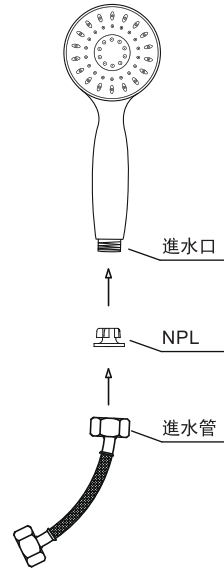
壓力及溫度感覺排放閥(HT55)

不可調校的壓力及溫度感覺排放閥，溫度固定於99度，或壓力排放於1,000kPa，符合AS1357.1 / LN938標準，是安全的保證。



H = 熱水 ⊗ = 閘門
C = 冷水 ⊕ = 混合水掣

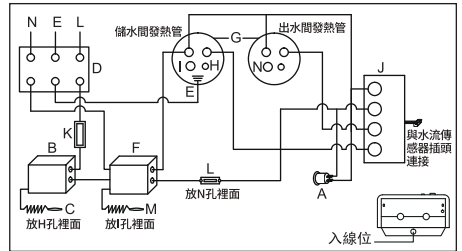
NPL 安裝圖



安裝注意事項：黃色面帶有黑色膠圈方向對應進水管

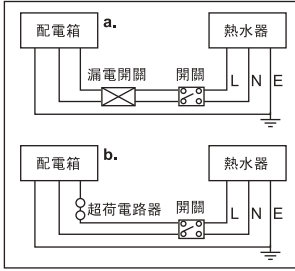
(3) 配線圖

- | | |
|--------------|---------------|
| A = 指示燈 | H = 溫度感應孔 |
| B = 恆溫掣 | I = 超溫度感應孔 |
| C = 儲水間溫度感應頭 | J = 電子控制器 |
| D = 接線座 | K = 電流保險絲 |
| E = 接地線 | L = 菲士線(熱斷路器) |
| F = 超溫斷路器 | M = 超溫度感應頭 |
| G = 發熱芯 | N = 菲士線熱斷路器插孔 |



a. 配有漏電斷路器之接線方法

b. 配有超荷斷路器之接線方法



(4) 使用方法

- 確定此熱水器在正常狀態及正確位置上。
- 扭開熱水掣至冷水及氣泡從出水口排出約1分鐘，然後關掉水掣(此程序只適用於首次安裝或維修後)。
- 熱水器安裝完後必須先進水，將水裝滿後才可通電開啟電源，將水加熱，此時紅色指示燈會亮。
- 當水加熱至預校溫度時，紅色指示燈會熄滅。
- 此時，閣下隨時可享用熱水浴，首先開啟冷水掣，然後慢慢開啟熱水掣，調校至適合水溫淋浴。
- 沐浴期間，在溫度控制器開通情況下，進水流量大於1.5L/min時，紅色指示燈會亮起。

水溫調校

- 如須啟動電熱水爐，請轉動溫度選擇旋鈕至所需水溫。於加熱過程中，指示燈會亮起。
 - 水會被加熱至大約35°C
 - ● 最大能源效益的加熱水溫約60°C
 - ●● 如將水加熱至約75°C，必須小心，以免造成燙傷

(5) 留意事項

- 當熱水器加熱時，泄壓導管將有少量滴水排放，此乃正常情況。
- 熱水器在加熱時或開動供水閥門時，發現大量水和氣體排放時，則可能有如下配件失效：
 - A. 壓力及溫度感應排放閥損壞
 - B. 供水水壓過大
 - C. 熱水器恆溫掣損壞，導致水溫上升壓力增加而排泄發生以上情況是不正常的，使用者應及時採取如下行動：
 1. 把電源掣關掉
 2. 把供水閥門關閉
 3. 通知代理商或分銷商進行維修

(6) 使用者指南

- 該熱水器不能供以下人士使用(包括兒童)
 - A. 缺少物理知覺或精神能力，或缺乏經驗和知識，除非已給他們正確指示和監督。
 - B. 關於對熱水器的使用由監護人對他們的安全負責。
 - C. 為避免燙傷意外發生，未加入冷水時，請勿直接將花灑頭對向人體，必須確保出水溫度合適後方能使用。

(7) 使用注意事項

於使用及安裝此熱水器前，請閣下閱讀以下注意事項：

- 在以下任何情況下：
 1. 當第一次安裝進水時
 2. 曾經出現停水
 3. 熱水器內只排水、沒有進水時為確保爐內注滿水，用戶須旋開熱水掣直至水及氣泡從出水口排出約1分鐘。
 - 必須定期清理壓力及溫度感應排放閥內積聚之沉澱物，以免排氣口受到阻擋。
 - 根據使用當地電工條例及當地法例，需接駁最少一款如下：
 - 適合之自動斷路掣
 - 適合之漏電斷路掣
 - 確定熱水器安裝在安全穩固及接駁無誤情況下工作，不可把衣物或雜物放在電熱水器上。
 - 不可灑灑任何液體於電熱水器內，如發生，請立即關掉電源及通知代理商檢查。
 - 經常檢查電源線，如電源線損壞，需由授權人士更換。
 - 不能用電源延伸座或其他家電設備與熱水器連接使用。
 - 如熱水器發生故障，切勿自行修理或更換零件，應聯絡以下公司：
 - 授權維修中心
 - 熱水器購買時之分銷商
 - 如熱水器在長時間內停用時，建議把電源斷開，恢復使用時先進行檢查，打開冷熱水掣，確保水箱內有水後才可通電。
 - 不可使用不合格及未達標準之潔具配件，例如，未被認可之混合水掣，配件等。
 - 電力開關須使用符合國家標準的雙極電源開關掣，並且該掣必須裝置於浴室之外。
- 警告：本電器產品須置於兒童不可接觸的地方，並須連接良好的地線，切勿自行安裝或改裝。**
- 此電熱水器只可安裝特定之配件，請勿接駁非製造商建議的配件。
 - 如果要使熱水器內水排空，必須使用工具打開排水塞。

(8) 異常狀況之處理

使用中發現異常狀況時，請將開關電源截斷，並聯絡代理商進行檢查或維修。

狀況	原因	執行
水不熱，指示燈不亮	1. 電源開關不妥 2. 內部電線不妥 3. 發熱芯或恆溫掣燒毀 4. 電流保險絲燒毀	● 找合資格的技術人員檢查或修理 ● 更換發熱芯或恆溫掣 ● 更換電流保險絲
水溫太低	1. 恆溫掣在低溫度 2. 熱水器功率不夠	● 調高溫度 ● 諮詢代理商或找合資格的技術人員檢查
機身漏水	1. 儲水內膽漏水	● 找合資格的技術人員
水流量減弱或無出水	1. 水管淤塞 2. 水壓不足	● 清理水管

(9) 性能表

內容	型號
中央系統儲水速熱式電熱水器	ZULH-21
額定功率 (千瓦)	3
額定電壓	220伏特~/50赫茲
容量 (升)	19
機身尺寸 (闊x深x高 毫米)	430x185x660
重量 (淨重)	16千克
重量 (連水重)	35千克
限溫掣	85度
形狀	方形
溫度範圍	由冷水至75度水溫
防真空	有 (內置)
出入口喉管	1/2"

*規格如有更改，恕不另行通知

入水要求: 自來水或水箱供應

額定壓力: 1,000 kPa (10 bar)

入水壓力: 超過600kPa (6 bar)或以上，用戶必須要加裝減壓閥，否則不在保修範圍以內!

(10) 維修及保養

- 機身保養1年，零件保養3年(第二年及第三年之人工費不包括在內)
- 內膽保養10年(如在保養期內有任何產品配件問題，代理商將予以維修或更換)

保養並不包括以下不正當使用而導致之損壞:

1. 不正常安裝或操作
2. 使用非原裝或不合格之配件
3. 未經授權下改裝或更換配件
4. 未依照說明書指示安裝及使用



Sole Agent : DAH CHONG HONG, LTD.

總代理：大昌貿易行有限公司

5/F., DCH Building, 20 Kai Cheung Road, Kowloon Bay, Hong Kong.

香港九龍灣啟祥道20號大昌行集團大廈五樓

Tel : (852) 2262 1625 Fax : (852) 2814 7619 Home page : www.dch-ead.com

Service Hotline: 3193 9888 維修服務熱線: 3193 9888

ZANUSSI is a registered Trademark used under license from AB Electrolux (publ).